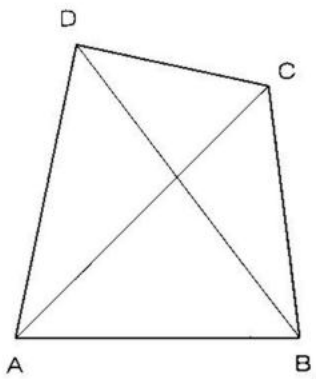
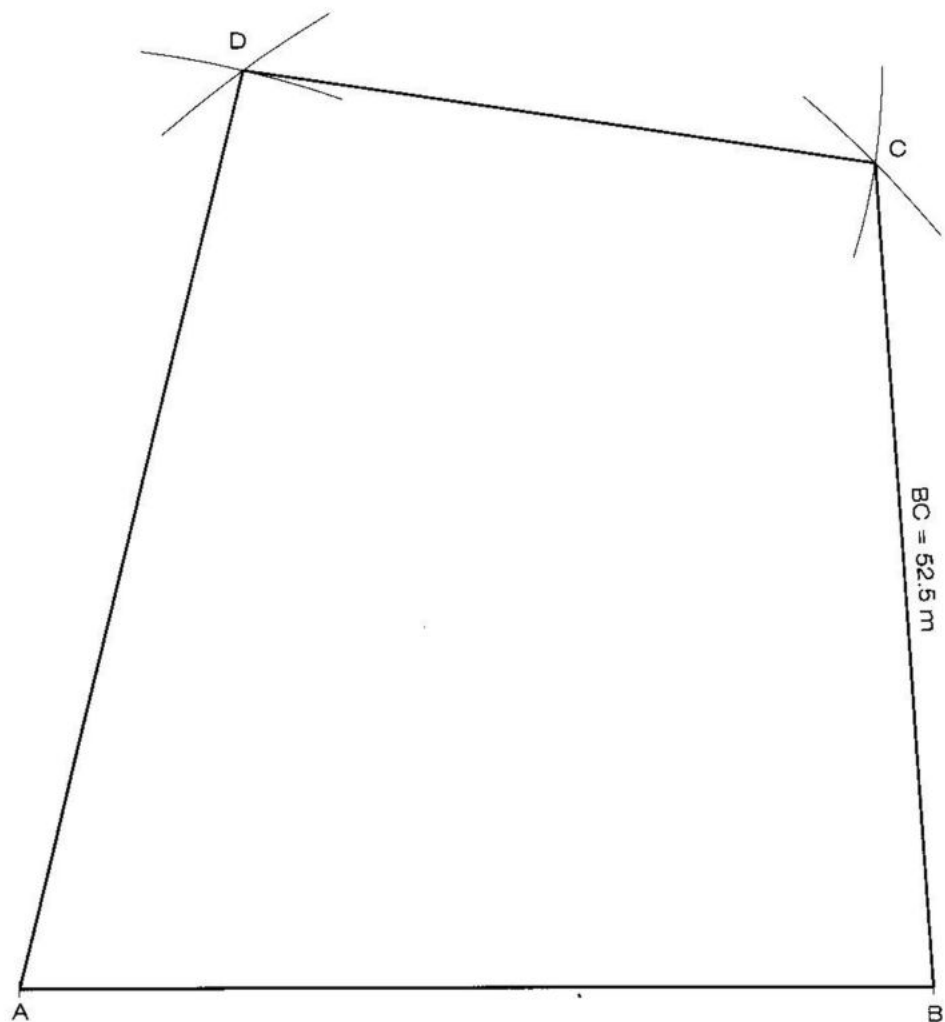


S 2.1

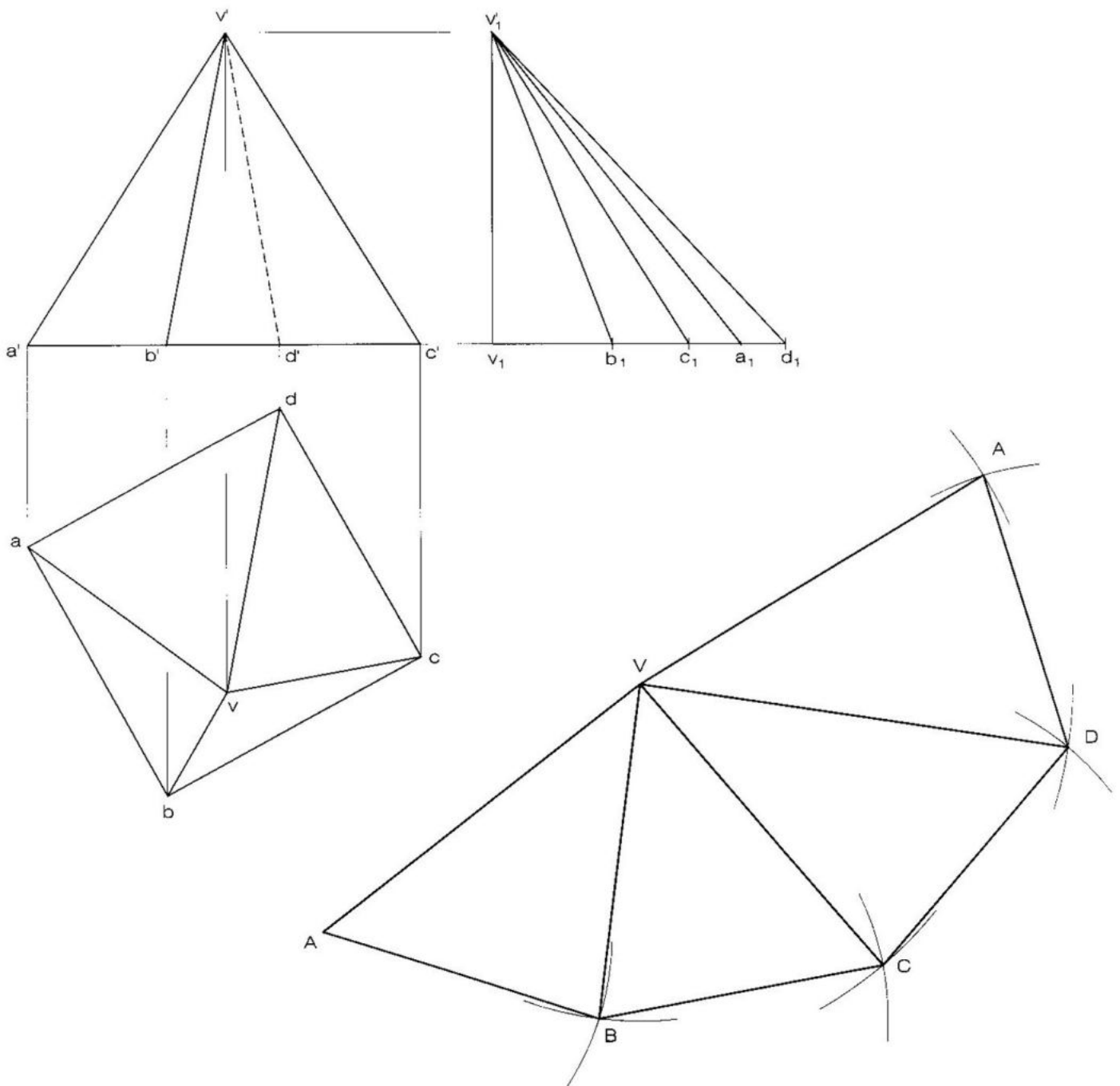


AC = 75 m  
AD = 60 m  
BD = 72.5 m  
DC = 40 m

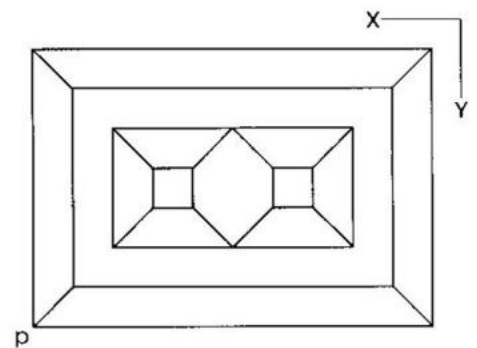
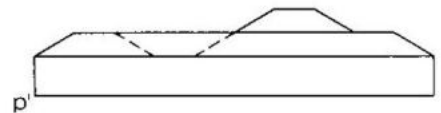
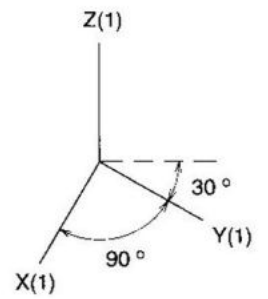
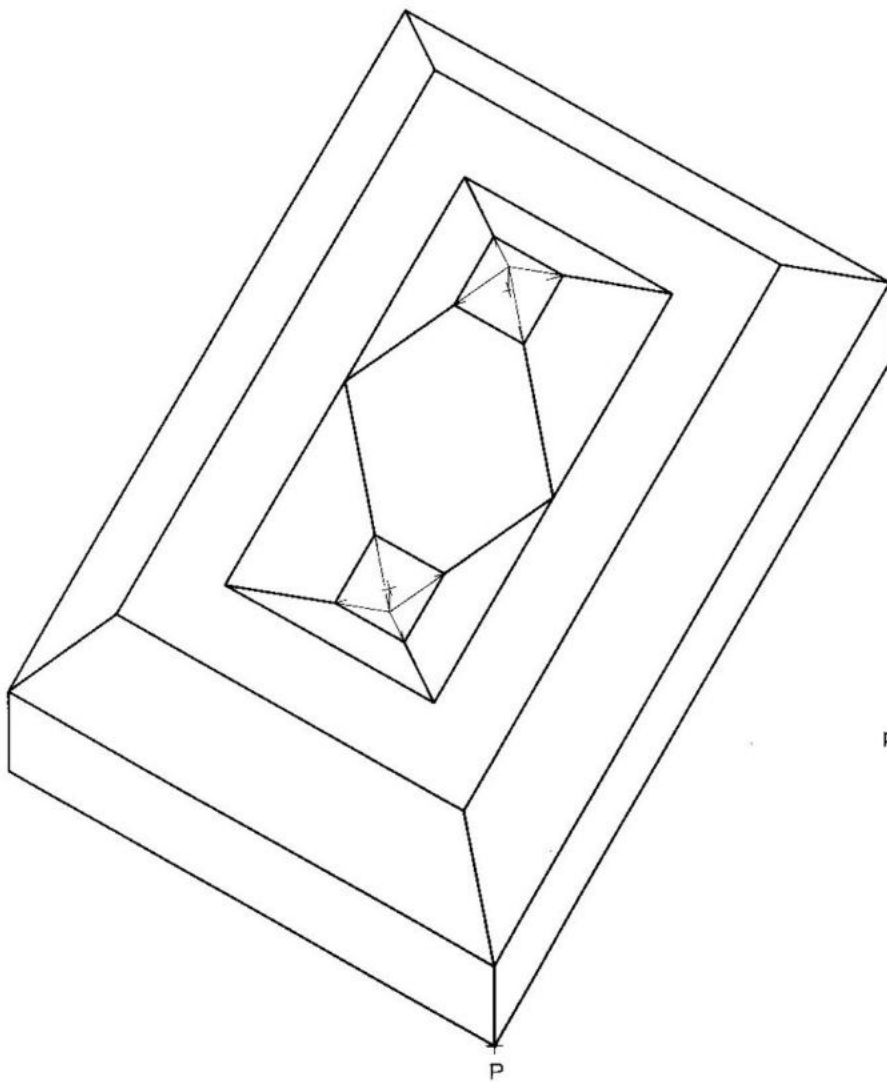
E 1:500



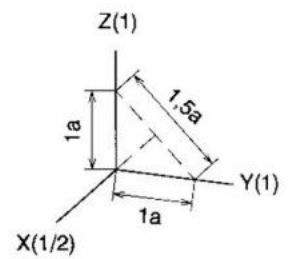
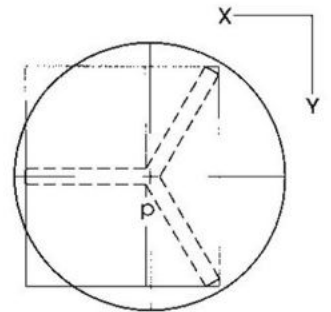
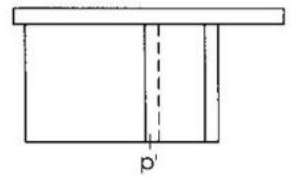
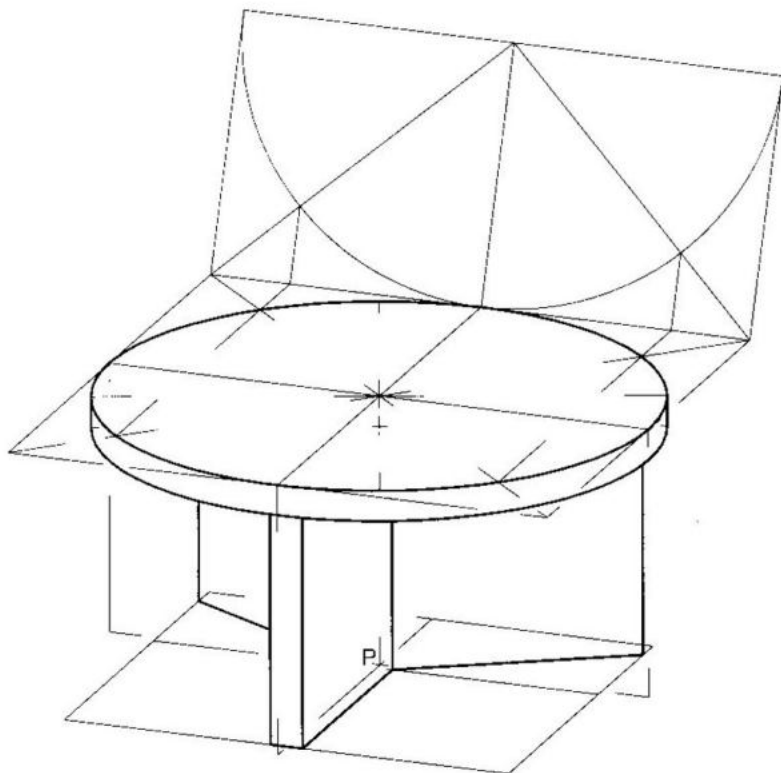
S 2.2



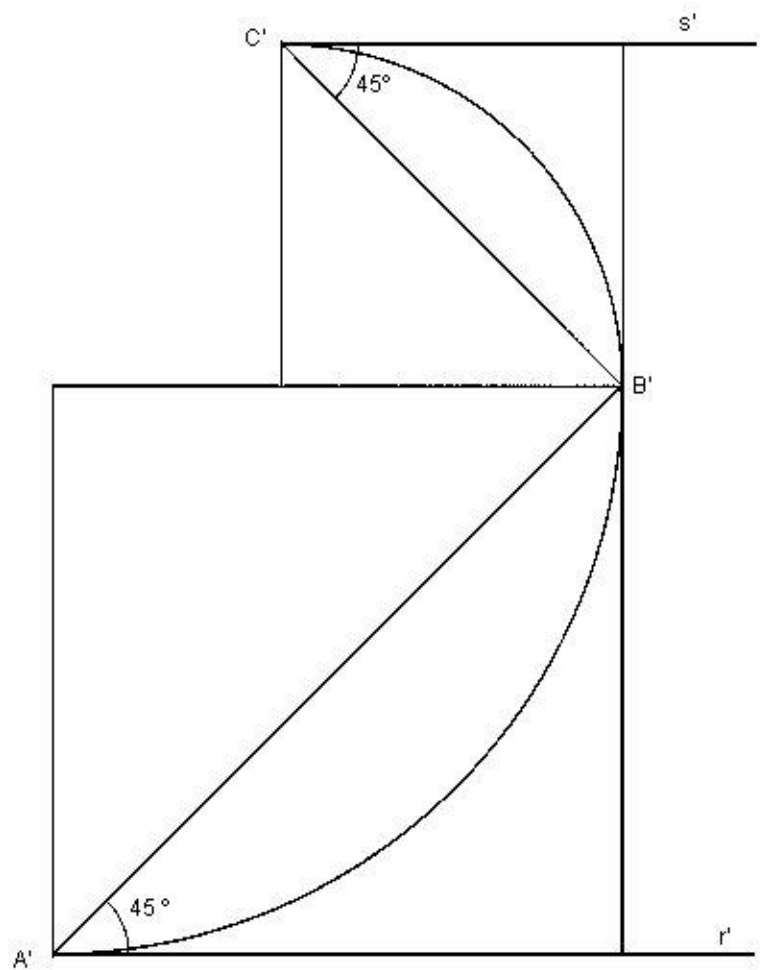
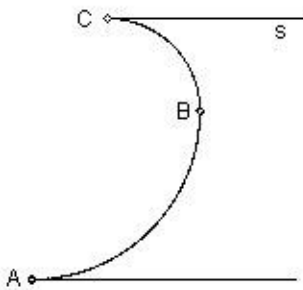
S 2.3A



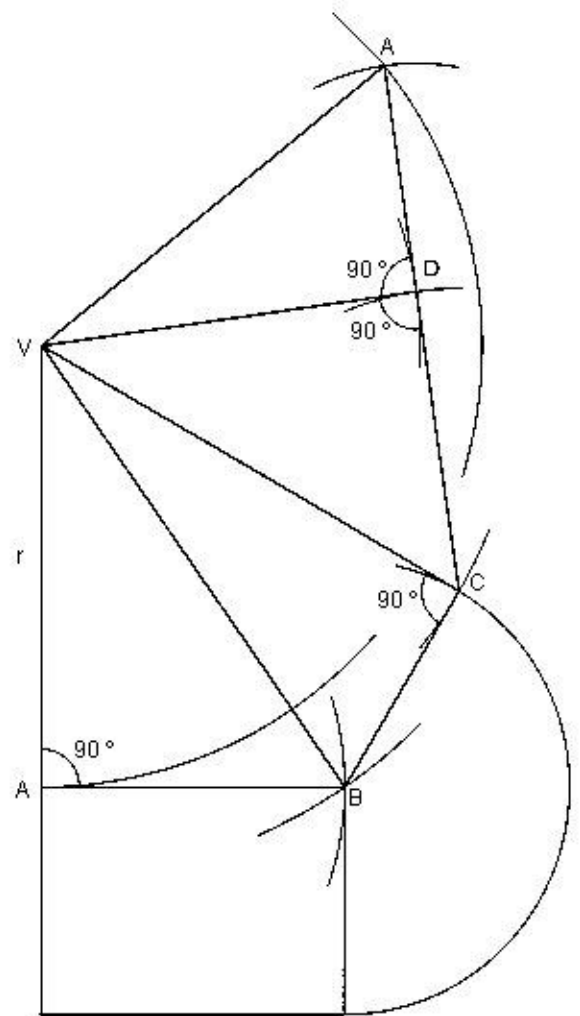
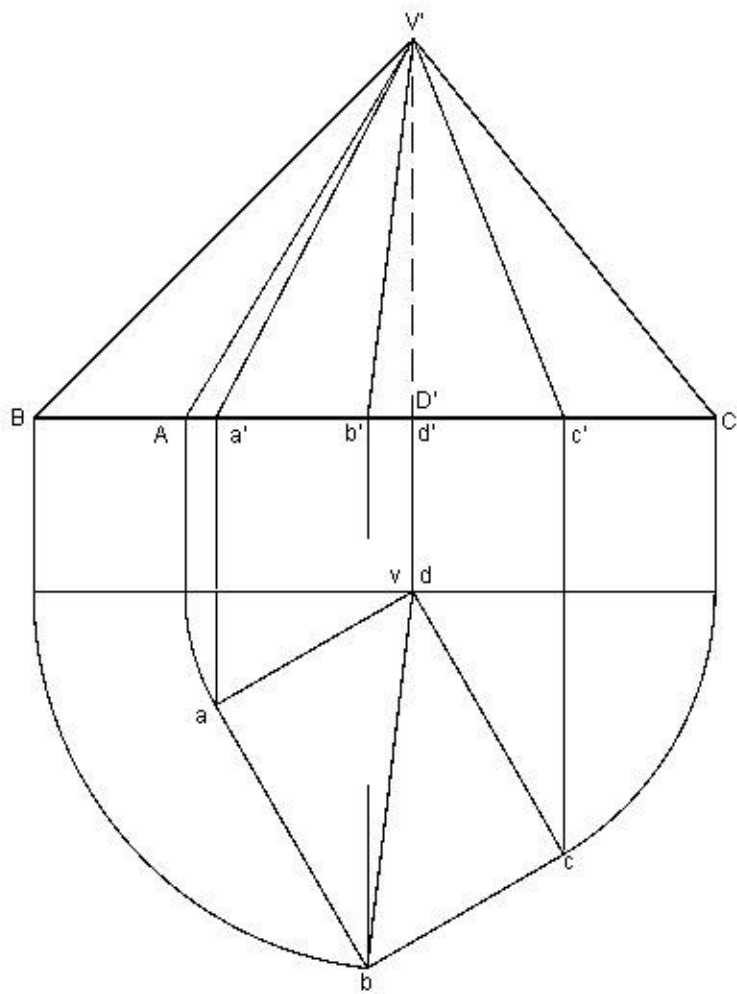
S 2.3B



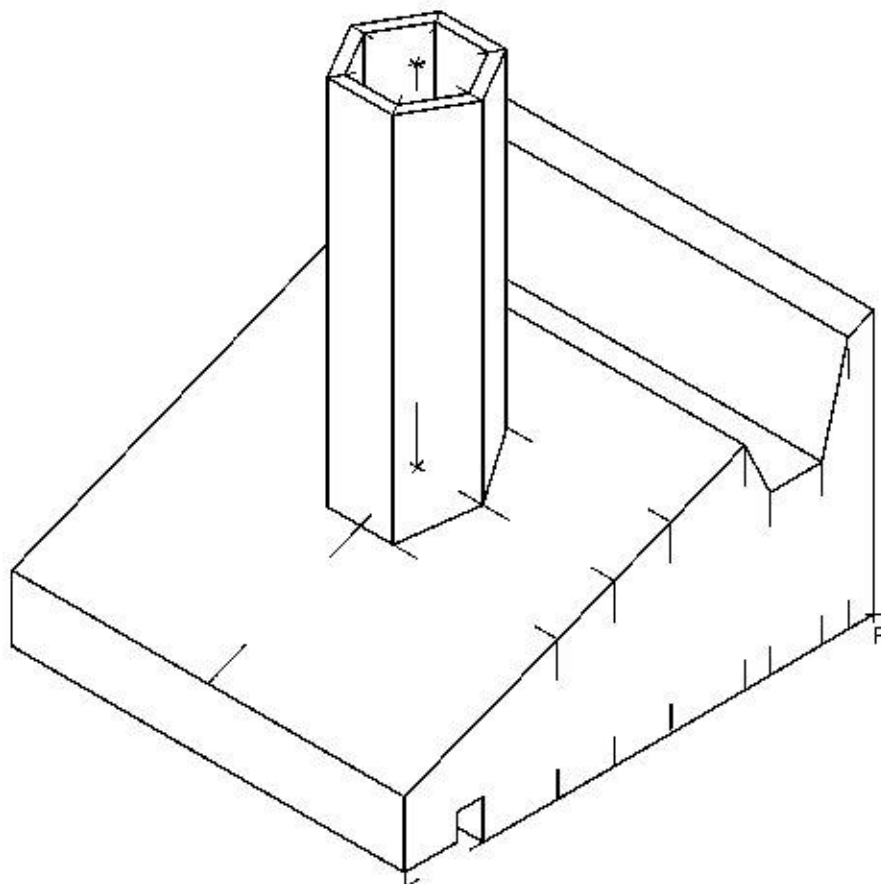
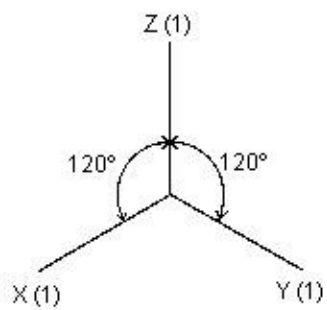
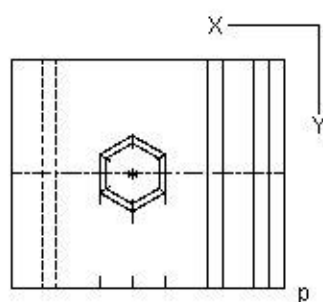
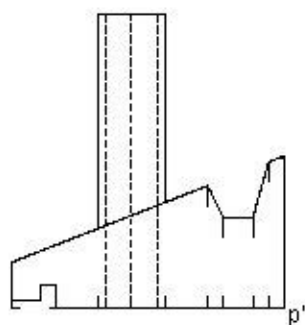
S5.1



S5.2



S5.3A



S5.3B

